



## RAMSEY H246/HY246 3.6 Tonne Hydraulic Winches

### Heavy Plant Moving & Recovery, Rigid Vehicles, Semi-Trailers

*H246 or HY246 winches can be mounted partially into or above floor level and are built to handle heavy machinery moving - often associated with plant hire work.*

*Robust machines with the option of two drum lengths, requiring very little maintenance.*

### DEVELOPED FOR TOUGH ENVIRONMENTS

*Ramsey H246 and HY246 winches have been developed for use in a tough machinery moving environment.*

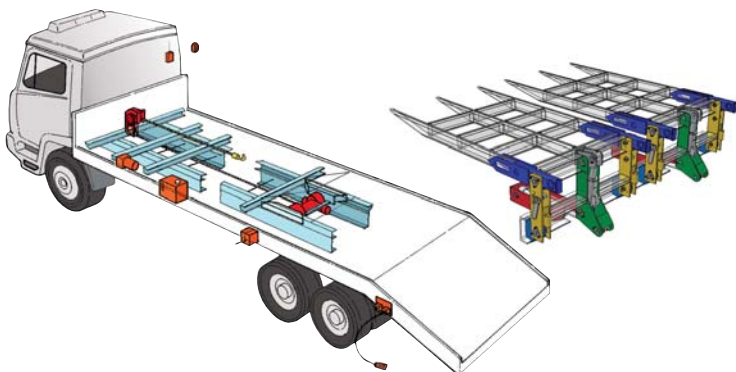
*In the 3.6 tonne capacity range there is no equal - even in applications where plant is driven to load or unload - and the winch is used as a steady line.*

*Other applications are wide and varied - and include recovery vehicles where the application demands heavy duty, such as salvage moving vehicles and underlifts - the self braking feature ensures high levels of safety.*

*The H246 or HY246 are ideally suited for underfloor mounting. See also BH550 - (5 tonne) and H89 - (9 tonne) hydraulic winches.*

### OPTIONS

- Electric control valve with wanderlead
- **FM•CONNECT** radio control unit
- Hydraulic tank
- PTO pump
- Diesel or petrol donkey engine power packs
- Accessories and consumables including snatch blocks, wire ropes, roller guides etc.

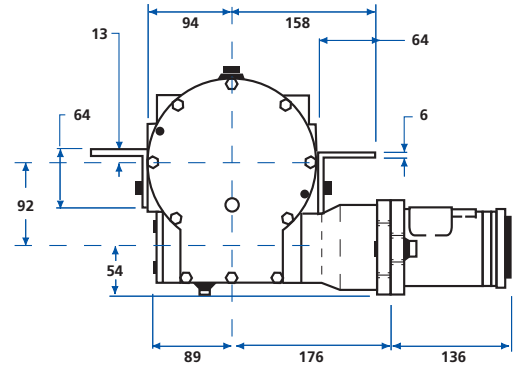
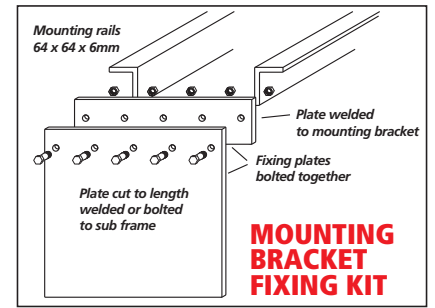
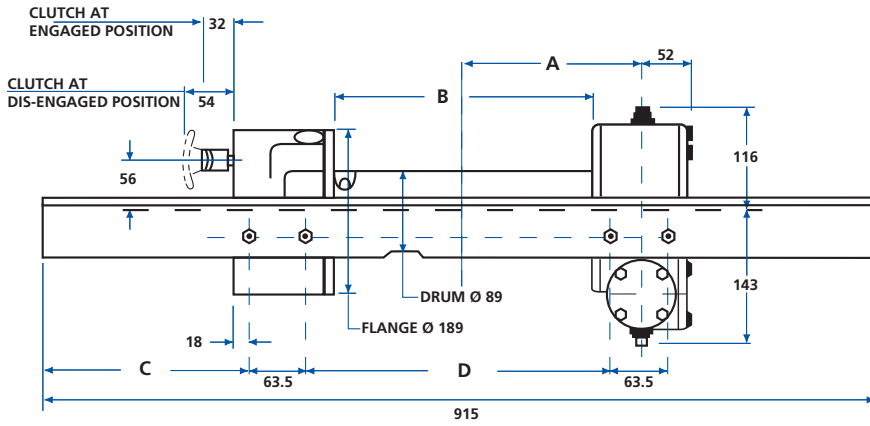


### FEATURES INCLUDE

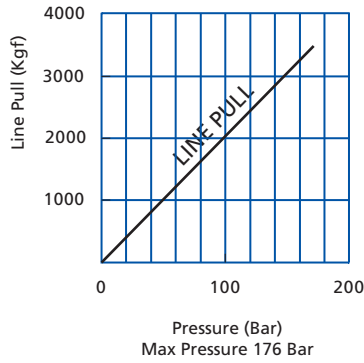
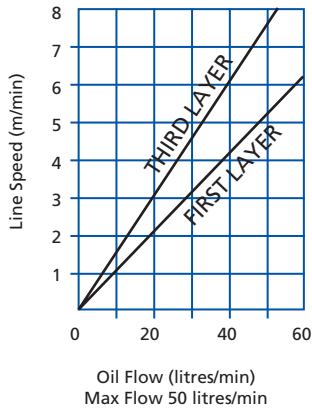
- **3600kgf line pull**  
*Rated line pull of 31.5kN*
- **EN 14492-1 compliant**
- **Heavy duty worm and wheel drive**  
*Built to take shock loading*
- **Can be fitted into vehicle floor – less vulnerable**
- **Hydraulic motor and mounting angles**  
*Supplied with the winch*
- **Long (H246) or short (HY246) drum options**  
*See specifications on page 2.*
- **Excellent wire rope storage**  
*Long drum 30m x 10mm or 18m x 10mm. Based on recommended 1960N/mm<sup>2</sup> grade, 6 x 36 wire core construction for maximum flexibility*
- **'T' handle free spool clutch**
- **Optional fairlead roller guides**  
*With heavy duty with greaseways*
- **12 months warranty**  
*On parts and service (excluding wire rope)*
- **Fitting service**  
*Full or partial fitting can be provided, including load testing and certification*
- **After sales service**  
*Technical advice given on winch fitting and component replacement, plus efficient overnight parts despatch and fast repairs. Spares carried as stock by the BHW Group.*

Also available from BHW Group - **PLANT•MASTER** underfloor winching systems and **RAMP•ASSIST** and **POWER•WEDGE** hydraulically powered beavertail systems.

# WINCH DIMENSIONS



## HYDRAULIC PERFORMANCE



H246			
A mm	B mm	C mm	D mm
198	288	227	333

HY246			
A mm	B mm	C mm	D mm
134	161	227	206

PERFORMANCE	LINE PULL kgf / kN	ACCUMULATED ROPE LENGTH m		SPEED m/min
		H246	HY246	
FIRST LAYER	3600	9.5	4.5	4.5
SECOND LAYER	3000	20.0	10.0	5.5
THIRD LAYER	2600	35.0	16.0	7.0

Speed shown is with hydraulic flow at 35 lt/min.

## INSTALLATION

The winch is supplied complete with the mounting angles as illustrated. These must be cut to length to suit the installation and the ends bridged with 10mm steel plates. These plates are then bolted through the securing framework on the vehicle. This method of installation ensures the winch can be removed for maintenance purposes if required. A fitting kit including the end plates and longitudinal chassis mounting plates are available as an optional extra see diagram above right.

## SPECIFICATIONS

- Rated Line Pull: 31.5kN (3600kgf) EN14492-1 compliant
- Line Speed: 4.5 m/min at 35 lt/min. on 1st layer, up to 7 m/min. on 3rd layer
- Wire Rope: 10mm Ø x 30m (H246) / 10mm Ø x 18m (HY246) - 1960N/mm<sup>2</sup> grade. 6 x 36 wire core construction
- Weight: 50kg including motor, mounting angles and roller guides
- Gear Reduction: 46:1
- Gear Type: Worm with phosphor bronze heavy duty wheel providing self braking, running in oil bath
- Winch Construction: Aluminium cast housings with steel drum
- Motor: Hydraulic with 1/2" BSP ports. Maximum flow 50 lt/min.
- Drum: H246 – 90mm dia x 288mm / HY246 – 90mm x 161mm. Flange diameter 189mm
- Roller Guides: Optional - Extra heavy duty with greaseways

## NOTES

These winches must not be used for the movement of personnel.  
A minimum of 5 wraps of wire rope must be maintained on the drum.  
Data shown is approximate and intended as a guide only.

## WARRANTY

Each new winch is guaranteed against defects in workmanship and material defects for a period of twelve months from date of purchase.  
Wire ropes are not included under warranty.

**Bushey Hall Winchmaster** sales@bhwwgroup.co.uk www.bhwwgroup.com

**Southern Office:** Lismirrane Industrial Park, Elstree Road, Elstree, Herts, WD6 3EE Tel: +44 (0)20 8953 6050 Fax: +44 (0)20 8207 5308

**Northern Office:** 6 South Orbital Trading Park, Hedon Road, Hull, East Yorkshire, HU9 1NJ Tel: +44 (0)1482 223 663 Fax: +44 (0)1482 218 285

Bushey Hall Winchmaster is a division of BHW Group Limited. Registered in England No. 1342461



CERT. No. 1769

BHT10 / 10.08.12