



RE 34.9 KIT COMPRISES

Electric Winch with emergency stop and safety solenoid; load limiting switch; 4.5m heavy duty 2 button wanderlead control; mounting bracket; industrial roller guides with greaseways; 10mm dia. x 30m galvanised wire rope (1960N/mm² grade) with safety latch hook.



Supplied with:
Emergency Stop, Safety Solenoid
and In-Cab Switch (not shown)

ADDITIONAL EQUIPMENT & SERVICES

- BHW WINCH CONTROL SYSTEM (see below)
- Electric isolator switch
- Auxiliary industrial 16 amp plug and socket kit for wanderlead connection
- Fuse and fuse holder
- Snatch block
- Radio Control Unit
- Full or partial fitting can be provided, including load testing and certification

UPGRADE TO A BHW WINCH CONTROL SYSTEM

Save time and money on installation - Ready to fit.

A choice of three alternative winch control kits designed to provide all in one emergency stop, isolator switch, safety solenoid and power outlets.

RAMSEY RE 34.9 3.56 Tonne DC Electric Winch (12v or 24v)

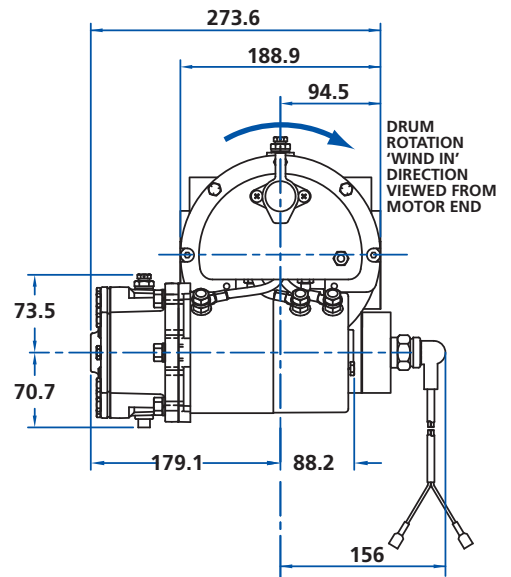
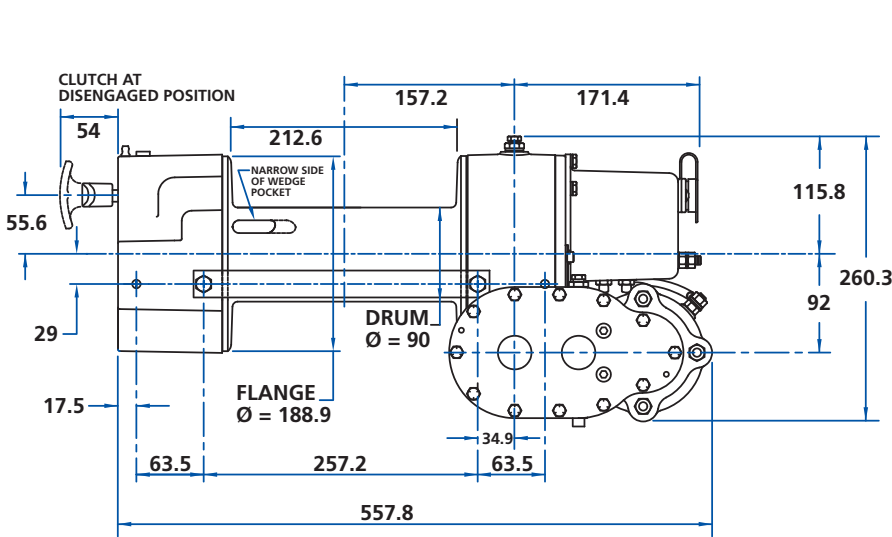
For General Recovery Work

Heavy duty electric DC winch, designed for general commercial applications. Rugged construction and low profile design enables fitting almost flush with, or above, the vehicle floor as required.

A 90mm x 215mm deep flange drum with rope anchor wedge ensures good rope life expectancy. Fully compliant with EN 14492-1 regulations.

FEATURES INCLUDE

- **3558kgf line pull**
Rated line pull of 34.9 kN
- **EN 14492-1 compliant**
- **Emergency stop switch & safety solenoid**
Ensures shut down if control solenoid fails to open
- **Load limiting switch**
Pre set to provide mechanical overload protection
- **Worm & wheel drive**
Holds load safely without relying on a separate internal brake
- **RAM-LOK freespool clutch mechanism**
Spring loaded for positive engagement
- **Wedge pocket rope anchor on drum**
Major safety benefit - prevents rope release from drum
- **10mm x 30m (1960Nmm² grade) wire rope**
6 x 36 wire core construction for maximum flexibility
- **Heavy duty series wound motor**
12v and 24v models available
- **All gearing running in oil bath**
- **Mounting frame or cradle mount options**
- **Heavy duty roller guides**
Industrial design for rugged commercial use
- **Heavy duty wanderlead control**
Industrial quality two button with 4.5m lead
- **Low amperage draw**
Practical and obtainable at rated line pull
- **12 months warranty**
On parts and service (excluding wire rope)
- **After sales service**
Technical advice given on winch fitting and component replacement, plus efficient overnight parts despatch and fast repairs.



		LAYER		
		1	2	3
Maximum Rated Line Pull by Layer	kN	34.9	29.3	25.3
	kgf	3558	2987	2574
RE 34.9 Rope Capacity Cumulative by Layer (10mm Dia. Wire Rope)	m	9	20	32

PERFORMANCE FIRST LAYER OF CABLE				
LINE PULL kgf	LINE SPEED (approx)		Amp Draw (approx)	
	12v m/pm	24v m/pm	12v	24v
0	6	5	90	35
900	3	2	170	75
1810	2	2	235	105
2720	1.5	1	305	140
3620	1	1	370	170

All figures are based on battery maintaining normal voltage and use of recommended wire rope at 10mm dia., 1960N/mm² grade.

SPECIFICATIONS

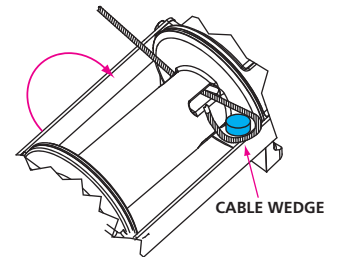
- Rated line pull: 34.9kN (3560kgf). EN 14492-1 compliant
- Line Speed: 12v: 6m/pm 24v: 4.5m/pm
- Wire Rope: 10mm dia. x 30m 1960Nmm² grade. 6 x 36 wire core construction. Min. breaking strain 68.9kN (7027kgf)
- Weight: Weight of machine 53kg. Complete kit: 68kg
- Gear reduction: 470:1
- Winch Construction: Aluminium housings with steel drum
- Motor: 1.9 hp (12v) 2.5 hp (24v) DC
- Drum: 90mm diameter x 213mm
- Protection: Load limiting switch for mechanical overload protection
- Braking: HID self locking worm & wheel holds load until winch is powered out
- Lubrication: Worm and wheel and spur gears all run in oil baths
- Wanderlead Control: Tough two button hand control with 4.5m lead. Other lengths or with emergency stop on request
- Roller Guides: Heavy duty commercial type with greaseways

NOTES

These winches must not be used for the movement of personnel and 5 wraps of wire rope must be maintained on the drum.

Data shown is approximate and intended as a guide only.

SECURE WIRE ROPE ANCHORAGE



LOAD LIMITING DEVICE

Electromechanical load limiting device provides overload protection
Electronic load limiting device also available (supplies as standard on cradle bracket versions)

WARRANTY

Each new winch is guaranteed against defects in workmanship and material defects for a period of twelve months from date of purchase.

Wire ropes are not included under warranty.

Bushey Hall Winchmaster sales@bhwwgroup.co.uk www.bhwwgroup.com

Southern Office: Lismirrane Industrial Park, Elstree Road, Elstree, Herts, WD6 3EE Tel: +44 (0)20 8953 6050 Fax: +44 (0)20 8207 5308

Northern Office: 6 South Orbital Trading Park, Hedon Road, Hull, East Yorkshire, HU9 1NJ Tel: +44 (0)1482 223 663 Fax: +44 (0)1482 218 285

Bushey Hall Winchmaster is a division of BHW Group Limited. Registered in England No. 1342461



CERT. No. 1769