



## DC 34.9 KIT COMPRISES

Electric Winch with emergency stop and safety solenoid; load limiting switch; 4.5m heavy duty 2 button wanderlead control; mounting bracket; industrial roller guides with greaseways; 10mm dia. x 30m galvanised wire rope (1960N/mm<sup>2</sup> grade) with safety latch hook.



Supplied with:  
Emergency Stop, Safety Solenoid  
and In-Cab Switch (not shown)

## ADDITIONAL EQUIPMENT & SERVICES

- BHW WINCH CONTROL SYSTEM (see below)
- Electric isolator switch
- Auxiliary industrial 16 amp plug and socket kit for wanderlead connection
- Fuse and fuse holder
- Snatch block
- Radio Control Unit
- Full or partial fitting can be provided, including load testing and certification

## UPGRADE TO A BHW WINCH CONTROL SYSTEM

**Save time and money on installation - Ready to fit.**

A choice of three alternative winch control kits designed to provide all in one emergency stop, isolator switch, safety solenoid and power outlets.

## RAMSEY DC34.9 3.56 Tonne DC Electric Winch (12v or 24v)

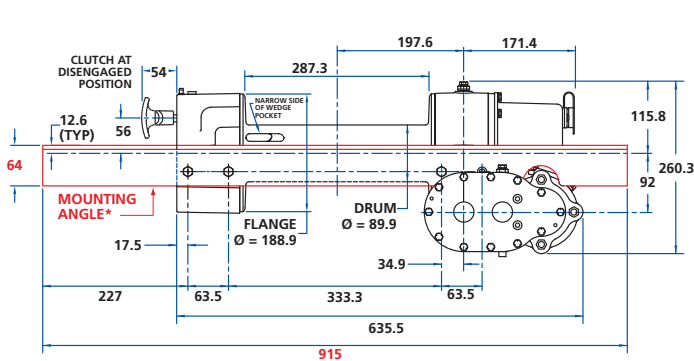
### For Plant and Commercial Recovery Work

Ramsey's heaviest DC series electric winch designed to take on the very toughest recovery and plant loading work. A reputation for giving long life and complete reliability, ensures that the DC34.9 will withstand the hardest working environments.

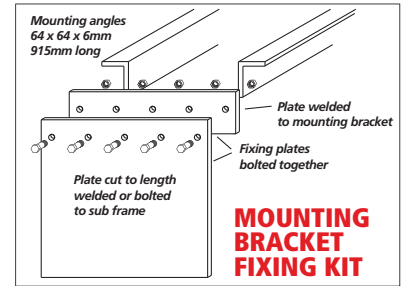
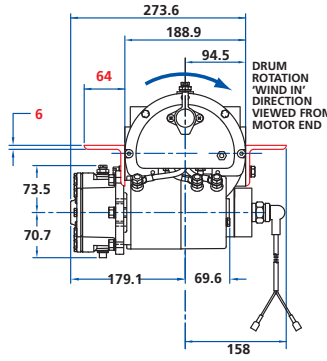
Fully compliant with EN 14492-1 regulations.

## FEATURES INCLUDE

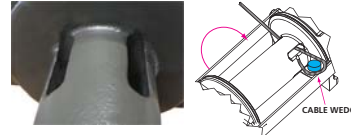
- **3558kgf line pull**  
Rated line pull of 34.9 kN
- **EN 14492-1 compliant**
- **Emergency stop switch & safety solenoid**  
Ensures shut down if control solenoid fails to open
- **Load limiting device**  
Pre-set to provide mechanical overload protection
- **High carbon steel worm and phosphor bronze wheel drive**  
Holds load safely without relying on a separate internal brake
- **Wedge pocket rope anchor on drum**  
Major safety benefit - prevents rope release from drum
- **10mm x 30m (1960Nmm<sup>2</sup> grade) wire rope**  
6 x 36 core construction for maximum flexibility
- **RAM-LOK freespool clutch mechanism**  
Spring loaded for positive engagement
- **Heavy duty series wound motor**  
12v and 24v models available
- **Heavy duty roller guides**  
Industrial design for rugged commercial use
- **Mounting frame or cradle mount options**  
For level floor mount or above deck
- **Heavy duty wanderlead control**  
Industrial quality two button with 4.5m lead
- **Low amperage draw**  
Practical and obtainable at rated line pull
- **After sales service**  
Technical advice given on winch fitting and component replacement, plus efficient overnight parts despatch and fast repairs.



\* 914 x 64 x 64 MOUNTING ANGLES SUPPLIED AS STANDARD - CUT TO LENGTH AS REQUIRED.



**SECURE WIRE ROPE ANCHORAGE**



**LOAD LIMITING DEVICE**

Electromechanical load limiting device provides overload protection. Electronic load limiting device also available (supplied as standard on cradle frame versions).

		LAYER		
		1	2	3
Maximum Rated Line Pull by Layer	kN	34.9	28.9	24.9
	kgf	3558	2947	2539
DC 34.9 Rope Capacity Cumulative by Layer (10mm Dia. Wire Rope)	m	9	20	32

PERFORMANCE FIRST LAYER OF CABLE				
LINE PULL kgf	LINE SPEED (approx)		Amp Draw (approx)	
	12v m/pm	24v m/pm	12v	24v
0	6	5	90	35
900	3	2	170	75
1810	2	2	235	105
2720	1.5	1	305	140
3620	1	1	370	170

All figures are based on battery maintaining normal voltage and use of recommended wire rope at 10mm dia., 1960N/mm<sup>2</sup> grade.

**SPECIFICATIONS**

- Rated Line Pull:** 34.9 kN (3560kgf). EN 14492-1 compliant
- Line Speed:** 4.3 m/min.
- Wire Rope:** 10mm dia. x 30m 1960 Nmm<sup>2</sup> grade. 6 x 36 wire core construction. Min. breaking strain 68.9kN (7027kgf)
- Weight:** Machine weight: 53kg Complete Kit: 70kg
- Gear Reduction:** 470:1
- Winch Construction:** Aluminium die-cast end housings with steel drum, worm high carbon steel with phosphor bronze wheel designed for years of trouble free service.
- Motor:** 1.9 HP (12v) 2.5HP (24v) DC
- Drum:** 90mm diameter x 287mm or 213mm
- Protection:** Load limiting switch for overload protection
- Braking:** H/D self locking worm & wheel holds load until winch is powered out.
- Lubrication:** Worm and wheel and spur gears all run in oil baths
- Motor:** 1.9 HP (12v) 2.5HP (24v) DC
- Wanderlead Control:** Tough two button hand control with 4.5m lead. Other lengths available or with emergency stop on request.
- Roller Guides:** Heavy duty commercial type with greaseways.



**NOTES**

These winches must not be used for the movement of personnel and 5 wraps of wire rope must be maintained on the drum.  
Data shown is approximate and intended as a guide only.

**WARRANTY**

Each new winch is guaranteed against defects in workmanship and material defects for a period of twelve months from date of purchase.  
Wire ropes are not included under warranty.

**Bushey Hall Winchmaster** sales@bhwwgroup.co.uk www.bhwwgroup.com

**Southern Office:** Lismirrane Industrial Park, Elstree Road, Elstree, Herts, WD6 3EE Tel: +44 (0)20 8953 6050 Fax: +44 (0)20 8207 5308

**Northern Office:** 6 South Orbital Trading Park, Hedon Road, Hull, East Yorkshire, HU9 1NJ Tel: +44 (0)1482 223 663 Fax: +44 (0)1482 218 285 **REMSA**

Bushey Hall Winchmaster is a division of BHW Group Limited. Registered in England No. 1342461



CERT. No. 1769

BH17/11.01.13