



NEW EUROPEAN STANDARDS & BHW GROUP

New Harmonised European Standards: EN14492-1 for power driven winches, EN14492-2 for power driven hoists provide the means for conformity to essential Health and Safety requirements of the EC Machinery Directive.

Conformity to these standards is the joint responsibility of the supplier, the installer and the company operating the product.



BHW Group products are fully compliant and carry a CE mark. A Declaration of Conformity is also supplied with each winch or hoist.

Our aim at BHW Group is to ensure the correct machine is supplied to suit the application and we welcome the opportunity of discussing the proposed application and offer advice. It will help us considerably if information regarding the maximum and average loads to be lifted or pulled - and approximate frequency of use can be provided.

For hoisting applications the minimum breaking force (MBF**) of the wire rope must be 5 x the lifting capacity of the hoist. The ratio of wire rope diameter to mean drum diameter* is usually at least 15:1. This will vary according to the application, the average operating time per day and the average and maximum weights being lifted.

For pulling applications. As a general rule winches used in pulling applications rarely see their maximum rated capacity and are used intermittently for short running periods. In these applications the wire rope MBF** to winch rating can be a minimum 2:1 and the ratio of wire rope to mean drum ratio* as low as 10:1.

In applications where the winch is used for longer running times and more frequently sees higher loading conditions the wire rope to MBF** should be 3:1 and the ratio of wire rope to mean drum ratio* 12:1.

For recovery vehicles the permissible standard of wire rope MBF** to winch rating can be a minimum 2:1 and the ratio of wire rope to mean drum ratio* only 10:1. This minimum standard is permitted because the running time is so short and the winch rarely sees maximum load.

Wire rope capacities the maximum amount of wire rope on the drum must leave a freeboard to the top of the drum flange of 1.5 x wire rope diameter to prevent the wire rope coming off the drum.

Winches and hoists with capacities over 1000kg must be load limited.

* Mean drum diameter = the drum diameter plus the diameter of the wire rope.

** MBF = the Minimum Breaking Force of the wire rope.

CWG LIFTING WINCHES

300kg

CWG10077 (300kg)

CWG30075 (300kg)

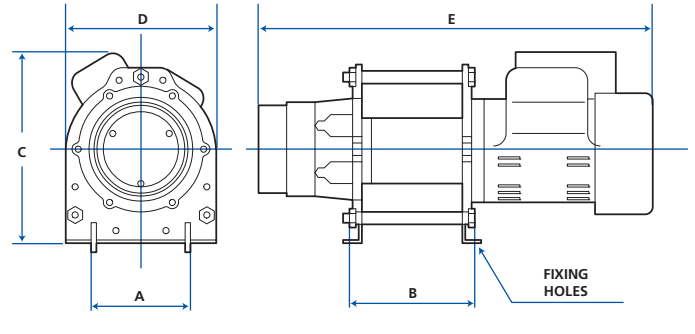
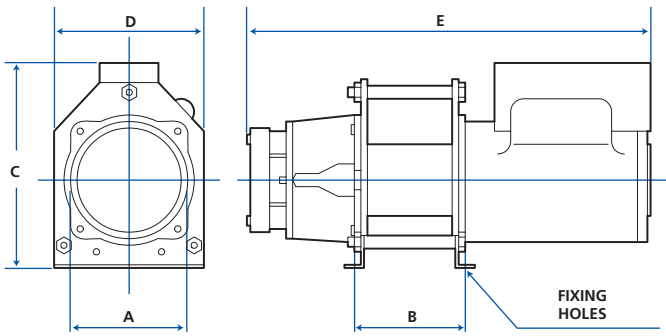
110v or 240v x 1ph or 415v x 3ph AC

FEATURES INCLUDE

- **Single or 3 phase options**
CWG10077 = 110v or 240v x 1ph
CWG30075 = 415v x 3ph (Includes low voltage control)
- **Electromagnetic, spring applied, failsafe brake**
Provides instant, safe braking
- **Bi-rotational**
CWG winches can be installed with wire rope coming off the top or bottom of the drum
- **Enclosed drum flange**
Prevents rope becoming trapped between drum and support casing
- **Complete with wire rope**
Galvanised for longer life
- **Compact design**
For easy installation
- **360° weighted safety hook**
Swivel type with safety catch
- **2 metre power lead**
Pre-wired to the winch with commercial type plug
- **Motor to IP44 as standard**
Brush type motor, no options

OPTIONAL EXTRAS

- **Low voltage control (Supplied as standard on 3ph)**
- **Radio remote control - via low voltage control**
- **Weather proof enclosure**



CWG 10077 WINCH DIMENSIONS mm						
MODEL	A	B	C	D	E	Fixing holes
CWG10077	156	197	300	252	624	4 off Ø 13.5

CWG30075 WINCH DIMENSIONS mm						
MODEL	A	B	C	D	E	Fixing holes
CWG30075	142	142	241	210	548	4 off Ø 10.5

SPECIFICATIONS

CWG10077

CWG30075

<i>Voltage options:</i>		110v 1ph	240v 1ph	415v 3ph
<i>Lifting:</i>	<i>Capacity</i>	300kg	300kg	300kg
	<i>Height of lift</i>		43m	29m
<i>Weight:</i>	<i>Winch only</i>	42kg		32kg
	<i>Total kit average</i>	44kg		34kg
<i>Line speed:</i>	<i>1st layer</i>	12m/min		10m/min
	<i>Last layer</i>	18m/min		15m/min
<i>Duty cycle:</i>		1ph have a duty cycle of 25%, with a max. of 60 starts per hour		
<i>Wire rope:</i>	<i>ø x length</i>	6mm x 45m		5mm x 30m
	<i>Safety factor</i>	Minimum factor of safety 5:1		
<i>Motor type:</i>		Induction motor		
<i>Outputs:</i>	<i>Kilowatts</i>	1.5kw	1.5kw	0.75kw
	<i>Amperes</i>	20amp	10.6amp	1.8amp
<i>Braking:</i>		Electromagnetic spring applied failsafe		
<i>Drum:</i>	<i>Length</i>	150mm		110mm
	<i>Diameter</i>	102mm		94mm
	<i>ø Flange</i>	180mm		154mm
<i>Rope ø to mean drum ø ratio:</i>		18:1		20:1

* Mean drum diameter = the drum diameter plus the diameter of the wire rope

NOTES

These winches must not be used for the movement of personnel and 7 wraps of wire rope must be maintained on the drum.

Data shown is approximate and intended as a guide only.

WARRANTY

Each new winch is guaranteed against defects in workmanship and material defects for a period of twelve months from date of purchase.

Wire ropes are not included under warranty.

Bushey Hall Winchmaster sales@bhwwgroup.co.uk www.bhwwgroup.com

Southern Office: Lismirrane Industrial Park, Elstree Road, Elstree, Herts, WD6 3EE Tel: +44 (0)20 8953 6050 Fax: +44 (0)20 8207 5308

Northern Office: 6 South Orbital Trading Park, Hedon Road, Hull, East Yorkshire, HU9 1NJ Tel: +44 (0)1482 223 663 Fax: +44 (0)1482 218 285

Bushey Hall Winchmaster is a division of BHW Group Limited. Registered in England No. 1342461



CERT. No. 1769

WM16/16.08.11