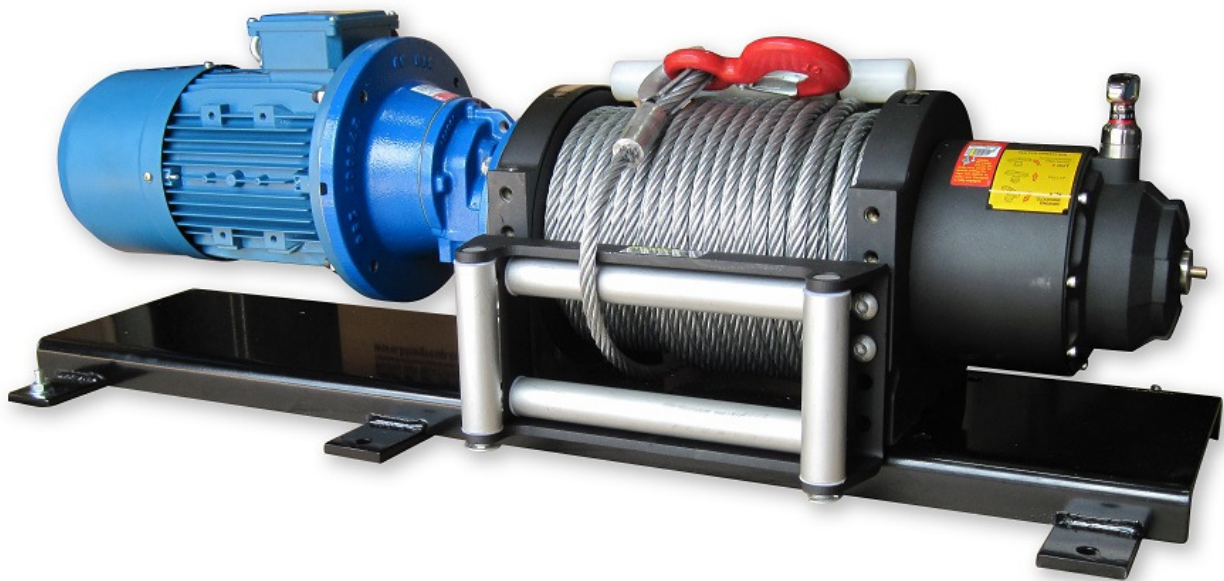


AC3000 Mk4 HEAVY DUTY 415V x 3ph AC WINCH

3000kg (24.9kN) Line Pull

TYPICAL USES: Plant Moving, Slipways, Machine Movement

Compliant with BS EN14492-1 Power Driven Winches



AC3000 KIT

Heavy Duty Electric Winch, Low Voltage Controls with 3m Wanderlead and Load Limiter.

OPTIONS

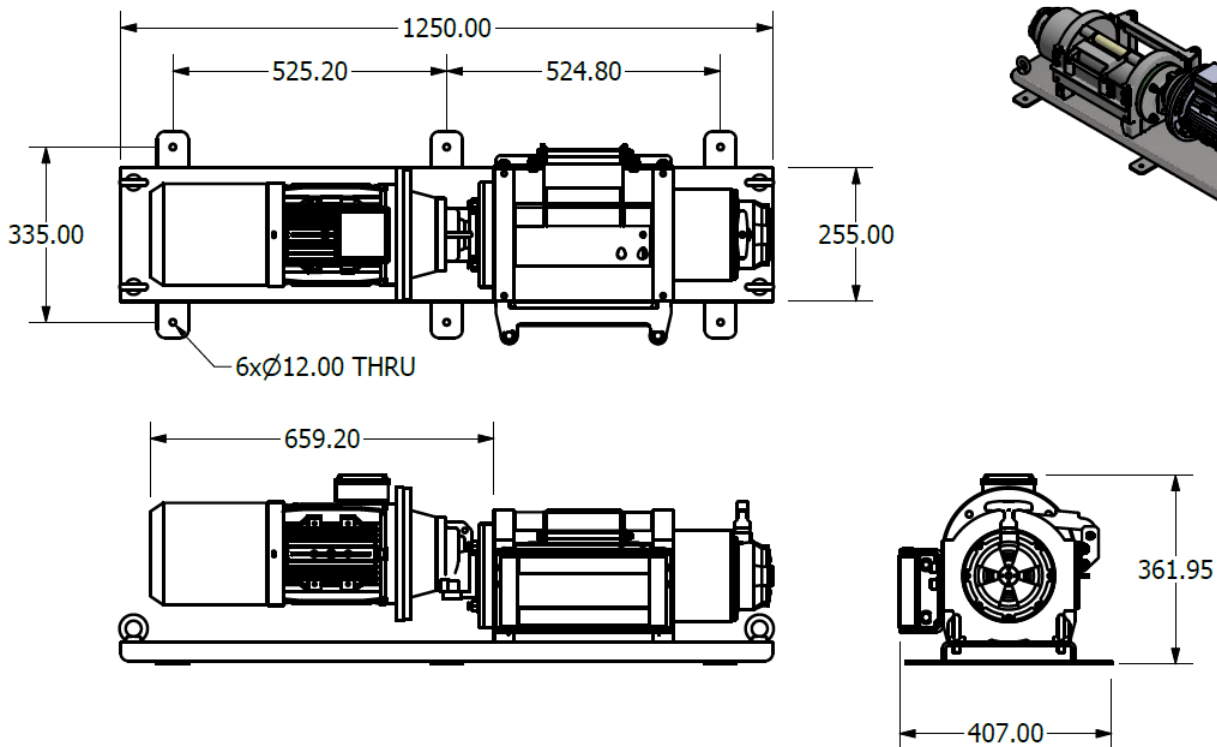
Mounting Plate, Roller Guide, Tension Roller, Wireless IN-OUT Control, Wire Rope.

FEATURES INCLUDE

- **4 Stage Heavy Duty Machined Planetary Gearing** - Providing long life and high mechanical efficiency.
- **Induction Braked Motor** – Provides instant, safe braking.
- **Electronic Load Limiter** - Supplied as standard.
- **Freespool Manual Clutch** – Supplied as standard.
- **Secure Wire Rope Anchorage** - Providing full load holding.
- **Low Voltage Controls** - With Low voltage in the handset – Includes Emergency stop and 3m cables pre-wired to the winch as standard.

AC3000 Mk4 HEAVY DUTY 415V x 3ph AC WINCH

WINCH DIMENSIONS



LEGAL COMPLIANCE

The British Standard for pulling winches BS EN14492-1, states that any winch sold in the UK or the EU must comply with the essential Health and Safety requirements of the UK Health and Safety at Work Act 1974 and the EN Machinery Directive. To achieve this the following conditions must be met:

The rope used must provide a minimum breaking force (MBF) of 3:1 compared to the Working Load Limit of the winch. Example - for a 2 tonne rated winch the MBL of the rope must be at least 4 tonne.

The maximum diameter of the wire rope that can be used must have a minimum ratio of 10:1 compared with the pitch circle diameter of the first layer of rope on the drum. Example - for a winch with drum diameter 90mm and rope 10mm the pitch circle is 100mm so the minimum permissible ratio is 10:1.

The maximum rope length wound on the drum that is permitted must provide a freeboard from the top layer to the edge of the drum flange of 1.5 x rope diameter. Example - a 10mm diameter wire rope would require a 15mm freeboard from the top layer.

All winches applying a force above 1000kg must be load limited.

AC3000 Mk4 HEAVY DUTY 415V x 3ph AC WINCH

AC3000 Mk4 WINCH VARIANTS

No.	Voltage	Rated Load per Layer (kg / kN)				Line speed m/min				Wire rope		Rope Length m/layer				Motor Amps	Gear Ratio
		1st	2nd	3rd	4th	1st	2nd	3rd	4th	Ø mm	Length	1st	2nd	3rd	4th		
20285	415V	3000/29.4	2535/24.9	2196/21.5	1936/19	3.9	4.6	5.3	6.1	12	30m 10197kg	8.1	17.8	30	N/A	4.5	304:1

SPECIFICATIONS

Rated Line Pull AC: 3000kgf (29.4kN).

Motor Gearbox: Powerful induction type braked motor IP54 rating.

Brake: 4 stage planetary machined gears to transfer high power and torque to the winch drum.

Drum size: Heavy duty automatic in-motor electronic fail-safe brake.

119mm diameter x 264mm length. Flange diameter 240mm.

Wire Rope: 12mm Ø galvanised 1960Nmm² tensile grade, 6 x 36 wire core construction, 10197kg (100kN) minimum braking strain. Maximum length 30 metres. This rope provides the 3:1 Working Load Limit (WLL) required by British standard BS EN14492-1. Rope to drum ratio 10.9:1.

Freespool Clutch: Spring-loaded sliding ring gear engaged and disengaged by rotating lever on gear housing.

Load Limiting Device: Electronic limiting device to provide 3:1 working load limit (WLL), for compliance with BS EN14492-1.

Low voltage Controls: Providing extended service life. They are pre-wired to accept optional wireless control saving significant installation time.

Wanderlead Control: 3m control lead supplied as standard. Other wanderlead / extensions options available on request.

Wire Rope Tensioner: **Optional.** Spring loaded roller tensioner to assist wrapping.

Roller Guides: **Optional.** Heavy duty 4-way commercial type.

Mounting Plate: **Optional.** Ensures securing holes are all in alignment and not oversized.

Winch Weight: 135kg approximate.

WARRANTY

Each new winch is guaranteed against defects in workmanship and material defects for a period of twelve months from date of purchase. Wire ropes are not included under warranty.

NOTES

Not be used for the movement of personnel.
Five wraps of wire rope must be maintained on the drum at all times. Date shown is approximate and intended as a guide only.