

Plant Hire companies and those involved in moving plant and machinery often require vehicles that will provide flexibility to ensure maximum vehicle utilisation with the least amount of effort and down time.

Beavertail gradients must now be no more than around 10° for loading some equipment so they are long and not ideal for carrying other equipment such as site huts.

The solution is **POWER•WEDGE**.



The clever system enables the bodybuilder to manufacture this sophisticated ramp system with the minimum design effort. The main components are proven and designed in such a way that the ramp length and wedge height required can be accommodated. The bodybuilder carries out the general construction of the ramps to suit the users particular requirements. The equipment supplied with the BHW **POWER•WEDGE** system includes all the hydraulic rams and control equipment, steel connecting assemblies and hinge bearing points.



POWER•WEDGE Double Folding Ramp System

POWER•WEDGE RAMP SYSTEM INCLUDES

- *Hydraulic Rams-Nitrotec impregnated for protection against corrosion & stone chipping*
- *Controls for raising lowering and folding*
- *Double acting over-centre valves for safety*
- *System mechanism with all hinge points*
- *Manual locking*
- *Full fitting instructions*
- *Optional DC power pack*
- *Optional pneumatic locking with indicator light*

FEATURES

- *Bodybuilder fabricates ramps to suit customers application*
- *Easy to use controls with each ramp operated independently*
- *Will function on uneven ground*
- *Operators can obtain replacement parts quickly to minimise costly down time*

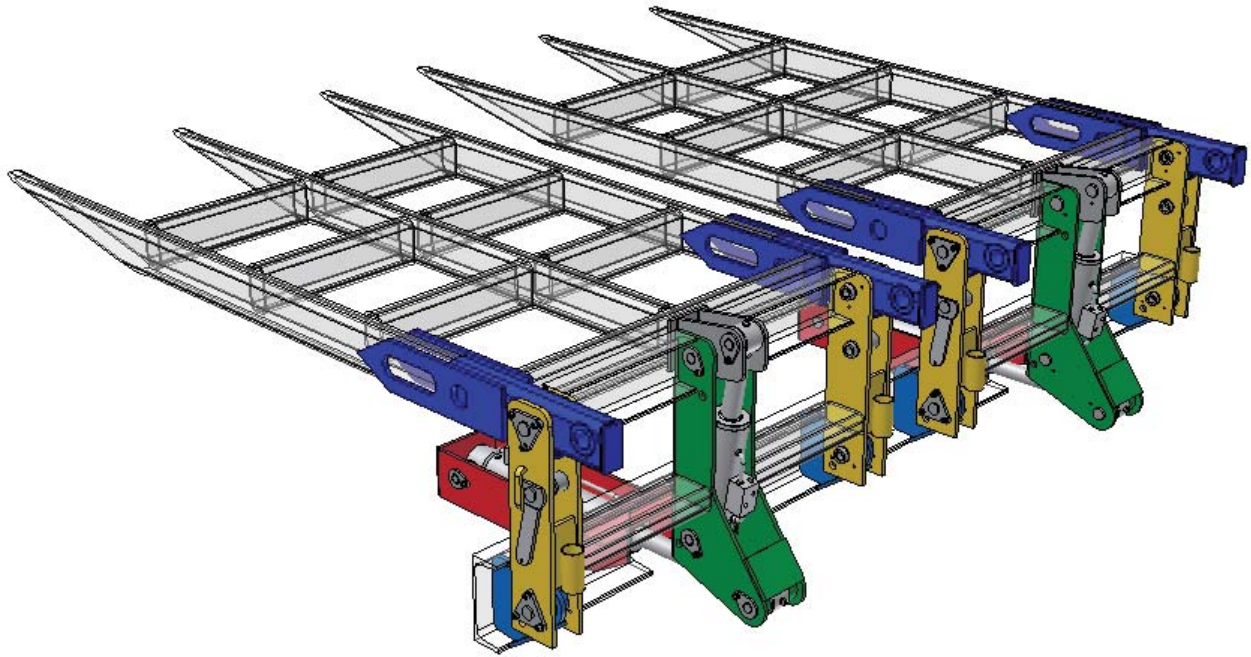
POWER

- *System uses the vehicles' hydraulic power if available. Alternatively an independent DC power pack can be supplied.*



OPTIONAL EXTRA

FM•CONNECT REMOTE CONTROL SYSTEM – CONTACT SALES FOR DETAILS



The **POWER•WEDGE Ramp System** includes the main component parts (shown in colour above) to allow body builders to construct two fully folding power wedge hydraulic loading ramps.

EACH KIT INCLUDES

- Hydraulic lifting and folding rams incorporating over-centre safety valves
- Ram mounting assembly
- Main lift reacting lever and folding assembly
- Ramp pivot lugs
- Ramp pivot pins
- All necessary pivot bosses
- Ramp locking pins
- Main lift ram pivot plates
- Hydraulic control valves
- Full fitting instructions
- Optional DC power pack



Bushey Hall Winchmaster sales@bhwwgroup.co.uk www.bhwwgroup.com

Southern Office: Lismirrane Industrial Park, Elstree Road, Elstree, Herts, WD6 3EE Tel: +44 (0)20 8953 6050 Fax: +44 (0)20 8207 5308

Northern Office: 6 South Orbital Trading Park, Hedon Road, Hull, East Yorkshire, HU9 1NJ Tel: +44 (0)1482 223 663 Fax: +44 (0)1482 218 285

Bushey Hall Winchmaster is a division of BHW Group Limited. Registered in England No. 1342461



CERT. No. 1769



RAMP•ASSIST

Single & Double Ram Hydraulic Raising & Lowering Systems

FEATURES INCLUDE

- Choice of single or double ram systems
- Bodybuilder produces ramps to suit application
- Safely handles ramps of any weight
- Easy to install
- Easy to use controls
- Functions on uneven ground
- Suitable for any size of plant vehicle

THE RAMP•ASSIST KITS INCLUDE

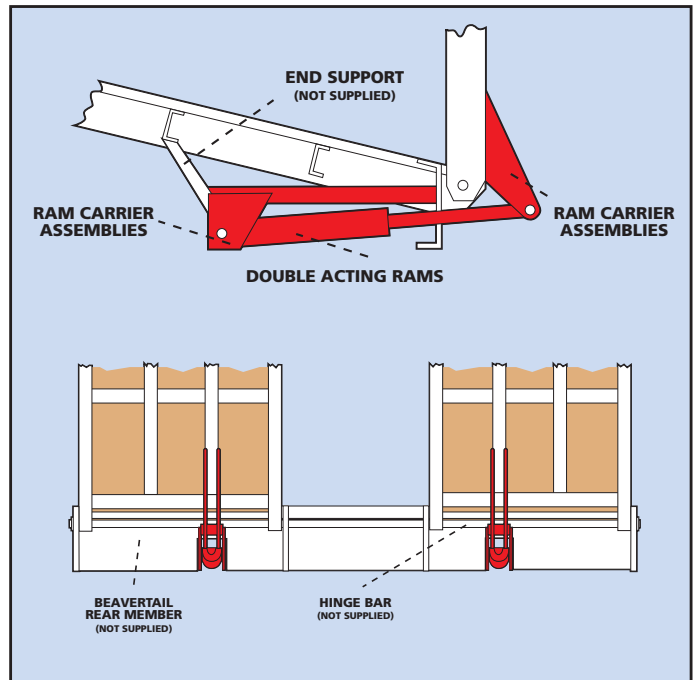
- System mechanism
- Hydraulic ram(s)
- Controls for raising or lowering
- Over centre safety valve
- Full fitting instructions
- Optional DC power pack

POWER

Both systems can use the vehicle's hydraulic power if fitted. Alternatively an independent DC power pack can be supplied.

HELPS EMPLOYERS TO COMPLY WITH EU MANUAL HANDLING REGULATIONS.

ENSURES EASE AND SAFETY FOR THE DRIVER.



OPTIONAL EXTRA

FM•CONNECT REMOTE CONTROL SYSTEM – CONTACT BHW SALES FOR DETAILS.