



## CHANDELIER HOISTS

### 100-600kg Lifting Capacity

CH100 (100kg), CH200 (200kg)  
CH300 (300kg), CH600 (600kg)

240v x 1ph AC

### FOR SLOW, SAFE LIFTING AND LOWERING OF LIGHTING FIXTURES



*Designed specifically to enable lifting and lowering of ceiling fixtures and fittings, including lighting, for safe and easy access.*

*Built to the highest standards to ensure reliability and*

*minimum maintenance, these hoists will safely and securely hold ceiling fixtures in place.*

*Available with spin resistant wire rope.*

*A double pulley system can enable repairs or maintenance without disconnecting power supply.*

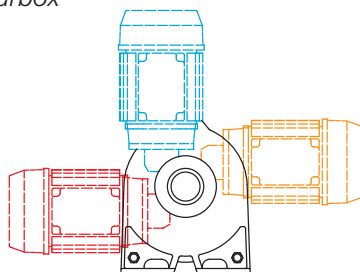
*Can be calibrated to stop at full ceiling height and preferred lowered position.*

### CHANDELIER HOIST FEATURES

- **A choice of four hoists - 100kg, 200kg, 300kg or 600kg lifting capacity**  
*With different capacities for heights of lift  
Larger hoists for heavier duty can also be supplied*
- **Operates on standard 240v 13amp supply**
- **Efficient load holding**  
*Dual braking - independent ratchet brake running in oil and electromagnetic motor brake*
- **Lightweight and compact design**  
*Aluminium die-castings to save weight and the compact design enables installation in small areas*
- **Available in different drum lengths**  
*To provide choice for wire rope length*
- **Enclosed drum flange**  
*Prevents the wire rope becoming trapped between the drum and support casing*
- **Smooth running gearbox**  
*Quiet and efficient spur gearbox*

#### Choice of motor position

CH200 and CH300 motors can be mounted in any of the three positions shown to suit the space available.



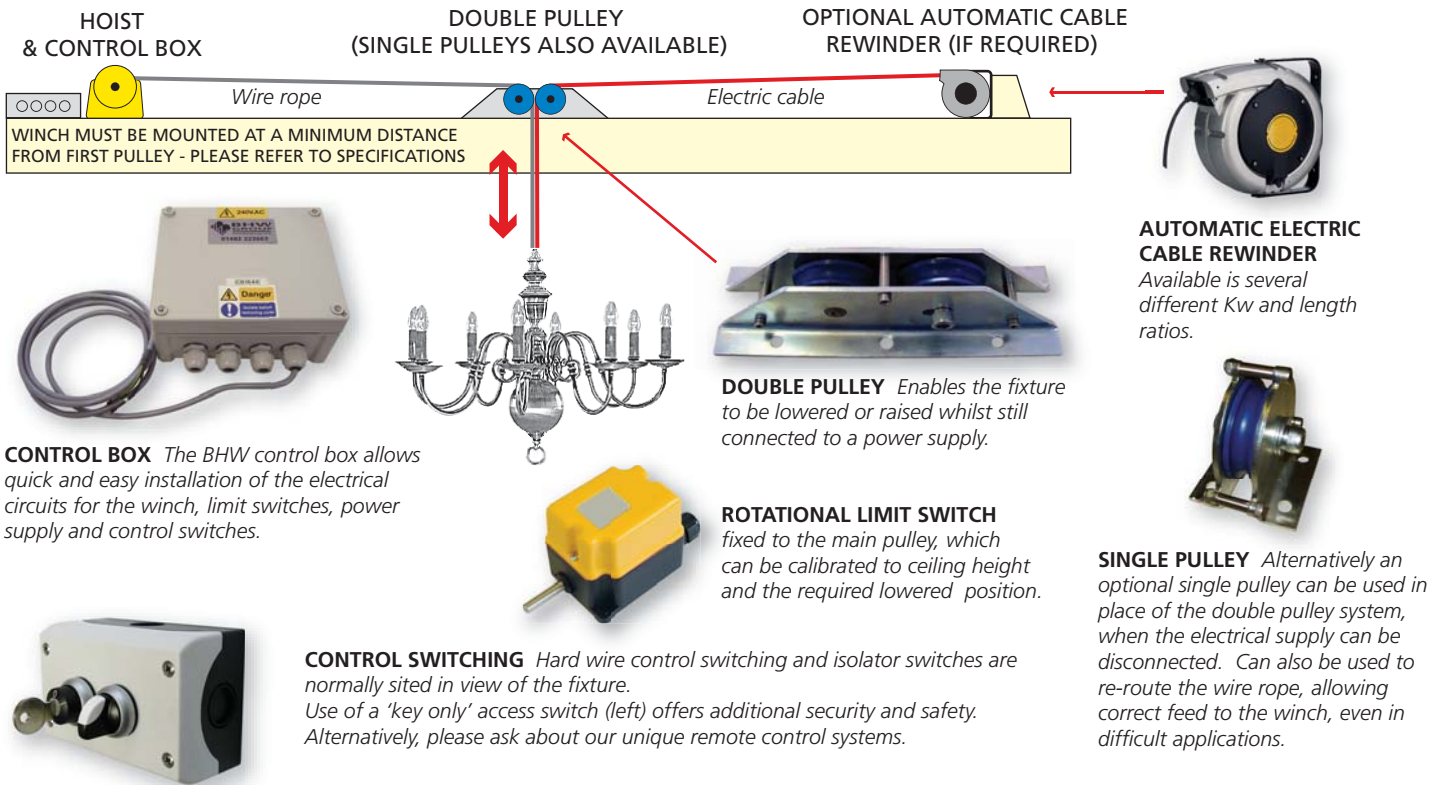
**TO ESTABLISH WHICH HOIST IS SUITABLE FOR YOUR PROJECT, CALL BHW SALES.**

**LARGER SIZES OF CHANDELIER HOISTS CAN ALSO BE MADE BY BHW GROUP.**

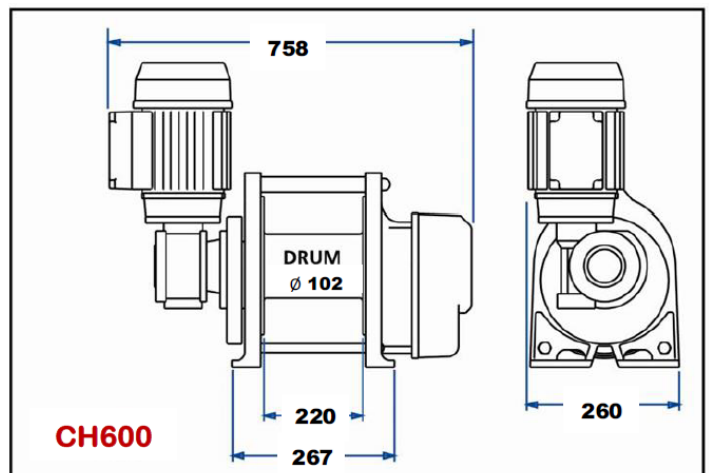
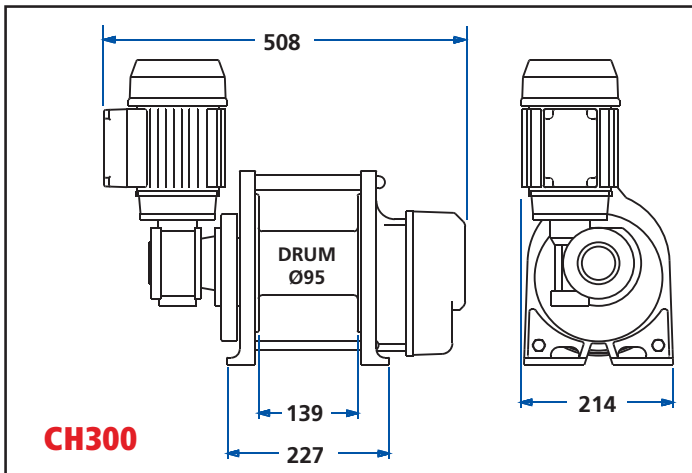
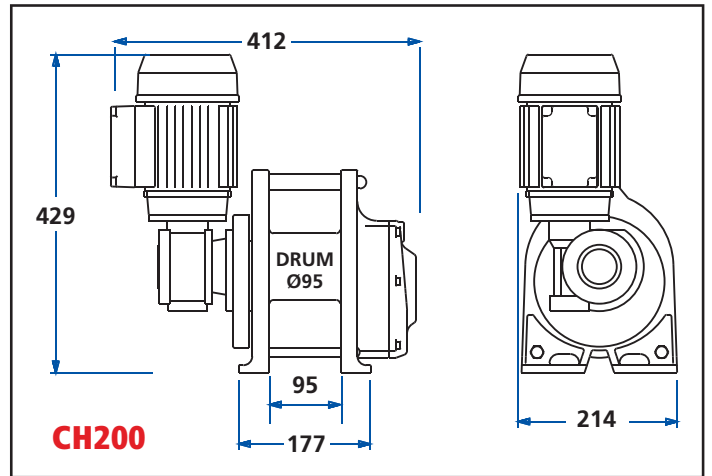
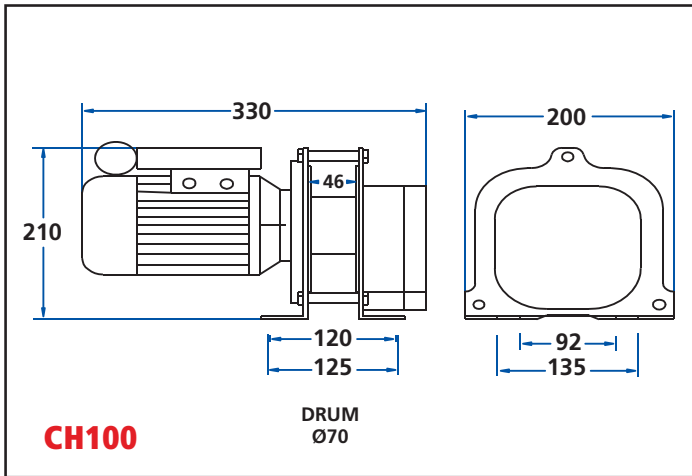
### HOIST SYSTEMS OPTIONS:

- **Fully pre-wired control box**  
*For easy electrical installation - complete with contactors and numbered termination blocks*
- **'Key only' access control switch**  
*For additional security and safety*
- **Single pulley - for hoist only applications**  
*When power is not connected, or fixture only requires wire rope*
- **Rotational limit switch with upper and lower stop settings**  
*Calibrated by the installer to suit individual installation*
- **Automatic power cable re-winder (if needed)**  
*Certified as suitable for the application (The kw rating and circuit details of the light fitting should be specified to BHW Group at the time of order)*
- **Non rotating wire rope available to correct length**  
*This is calibrated by BHW Group to allow for winch requirements and the distance from floor to ceiling*
- **Protection covers**  
*To protect the hoist, pulleys or cable rewinders from falling debris or dust*

# TYPICAL INSTALLATION LAYOUT



## HOIST DIMENSIONS



## LINE PULL AND LINE SPEED PERFORMANCES

### CH100

Rated lifting capacity  
100kg on 4th layer

		NUMBER OF ROPE LAYERS ON DRUM							
		1	2	3	4	5	6	7	8
Maximum Rated Line Pull by Layer	kN kg	1.3 135	1.2 121	1.1 110	<b>0.9</b> <b>100</b>	0.9 92	0.8 86	0.8 80	0.7 75
Rope Capacity Cumulative by Layer (4mm Ø Wire Rope)	m	2.5	5.4	8.5	<b>11.9</b>	15.5	19.5	23.8	28.3
Line Speed - m/min		3.5	4.0	4.5	<b>5.1</b>	5.6	6.1	6.6	7.1

### CH200

Rated lifting capacity  
200kg on 3rd layer

		NUMBER OF ROPE LAYERS ON DRUM							
		1	2	3	4	5	6	7	8
Maximum Rated Line Pull by Layer	kN kg	2.4 243	2.2 220	<b>2.0</b> <b>200</b>	1.8 185	1.7 171	1.6 159	1.5 149	1.4 140
Rope Capacity Cumulative by Layer (5mm Ø Wire Rope)	m	5.8	12.2	<b>19.2</b>	27	35	44	53	63
Line Speed - m/min		3.5	3.9	<b>4.3</b>	4.7	5.0	5.4	5.8	6.1

### CH300

Rated lifting capacity  
300kg on 3rd layer

		NUMBER OF ROPE LAYERS ON DRUM							
		1	2	3	4	5	6	7	8
Maximum Rated Line Pull by Layer	kN kg	3.6 364	3.2 329	<b>2.9</b> <b>300</b>	2.7 277	2.5 256	2.3 238	2.2 223	2.0 210
Rope Capacity Cumulative by Layer (5mm Ø Wire Rope)	m	8.8	18.5	<b>29.1</b>	40.6	53	66.5	81	96
Line Speed - m/min		2.4	2.6	<b>2.9</b>	3.1	3.4	3.6	3.9	4.1

### CH600

Rated Capacity 3rd Layer

		NUMBER OF ROPE LAYERS ON DRUM				
		1	2	3	4	5
Maximum Rated Capacity - KG		757	671	<b>602</b>	546	500
Rope Capacity by Layer - M		10	21.5	<b>34</b>	48	60
Line Speed - M/min		2	2.3	<b>2.9</b>	3.1	3.5

Cumulative rope capacity denotes total length of rope in metres on the drum according to how many layers.

An assessment of rope length needed for lifting, plus the length required permanently off of the drum is needed to calculate rope lengths for individual applications.

Data shown is approximate and intended as a guide only.

### CH100

### CH200

### CH300

### CH600

Lifting Capacity (on 3rd layer):	100kg (1.1kN)	200kg (1.96kN)	300kg (2.94kN)	600kg (5.88kN)
Voltage:	240v x 1ph			
Motor type:	Induction motor			
Outputs Kilowatts: Amperes:	0.18kW 1.6A	0.37kW 3.6A	0.37kW 3.6A	0.55kW 4A
Braking:	Dual mechanical and electromagnetic motor brake			
Duty Cycle:	All Chandelier Hoists have a duty cycle of 25%, with a maximum of 60 starts per hour			
Weight - hoist only:	9kg	20kg	25kg	30kg
Drum Diameter:	70mm	95mm	95mm	102mm
Drum Length:	46mm	97mm	147mm	220mm
Drum Flange Ø:	158mm	190mm	190mm	180mm
Wire rope Diameter:	4mm	5mm	6mm	7mm
Construction:	19 x 7 spin resistant rope, 1960 <sup>2</sup> Minimum factor of safety 5:1			
Rope to mean drum ratio:	18:1	20:1	20:1	15:1
Minimum recommended distance of hoist from pulley at ceiling aperture:	550mm	1165mm	1765mm	2640mm

Before installing any hoist system, it is important to work out what possible stress may be put onto the adjacent ceiling joists. A suitable support must be fitted across the joists to spread the load. If in doubt, consult a builder or structural engineer.

## NOTES

Please ensure that the fixing point for these hoists are capable of supporting the loads required.

These hoists must not be used for the movement of personnel and 7 wraps of wire rope must be maintained on the drum.

Data shown is approximate and intended as a guide only.

## WARRANTY

Each new hoist is guaranteed against defects in workmanship and material defects for a period of twelve months from date of purchase.

Wire ropes are not included under warranty.

**Bushey Hall Winchmaster** sales@bhwwgroup.co.uk www.bhwwgroup.com

**Southern Office:** Lismirrane Industrial Park, Elstree Road, Elstree, Herts, WD6 3EE Tel: +44 (0)20 8953 6050

**Northern Office:** 6 South Orbital Trading Park, Hedon Road, Hull, East Yorkshire, HU9 1NJ Tel: +44 (0)1482 223 663

Bushey Hall Winchmaster is a division of BHW Group Limited. Registered in England No. 1342461



CERT. No. 1769