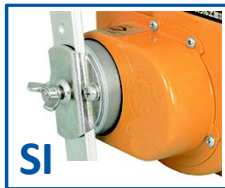


GM



SI



MR

MAXPULL HAND WINCHES

ROTATING - GM & GMSI

RATCHET HANDLE - MR

100kg - 3000kg

FEATURES INCLUDE

- Powder Coat or Hot Dip Galvanize
- Enclosed Design
- Adjustable Crank Lever Length
- Freespool - GM Version Only
- Rapid Rope repay - GM20 Model Only
- Hoisting Version - GM-SI
- MR Ratchet Lever – Restricted Lever Accessibility, 0 - 360-Degree Rotation
- Failsafe Brake
- Safety Rope Anchor

OPTIONS

- Sealed Brake – SIC Dust & Water Sealed
- Quiet Action Brake – NSIL Theatre Use
- Handle Rotation – LUSI - Counter Clockwise

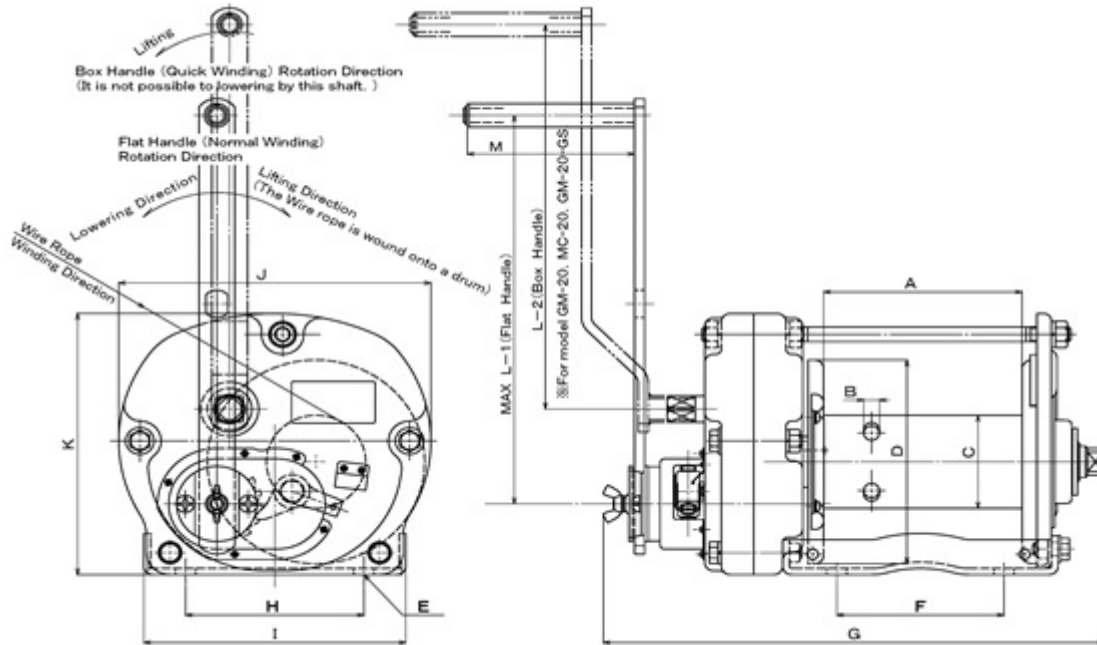
Model	Capacity KG	Rope \varnothing MM	Rope Storage Mtr	Capacity Rating Layer	Handle Force KG/Layer#	Handle Length MM	Gear Ratio	Weight KG
GM-1	100 (4 th Layer)	5	35	4	21.2/4	250	1:1	7.2
GM-3	300 (5 th Layer)	6	32	5	13.3/5	250	6.25:1	14.1
GM-5	500 (5 th Layer)	6	40	5	17.7/5	250	8.9:1	15.4
GM-10	1000 (3 rd Layer)	8	35	3	18.5/3	300	12.6:1	16.4
GM-20	2000 (3 rd Layer)	10	38	3	21.8/3	370	20:1 / 4:1	28.2
GM 30	3000 (3 rd Layer)	12	35	3	20.5/3	370	35.3:1	37.7
MR-1	100 (4 th Layer)	5	35	4	14.6	250	1:1	8.1
MR-3	300 (5 th Layer)	6	32	5	7.7	250	6.25:1	15.0
MR-5	500 (5 th Layer)	6	40	5	11.1	250	8.9:1	16.3
MR-10	1000 (3 rd Layer)	8	35	3	13.5	300	12.6:1	17.3
MR-20	2000 (3 rd Layer)	10	38	3	16.0	370	20:1	29.1
MR-30	3000 (3 rd Layer)	12	35	3	13.9	370	35.5:1	38.6

ADVANTAGES

The MAXPULL name is renowned for quality of design, finish and long-life durability:

- Ball bearings throughout
- Units can be fully overhauled - see parts manual
- Hot dip galvanised versions provided with 304 stainless steel fixings

DIMENSIONS



Model	A	B	C	D	E	F	G	H	I	J	K	L-1	L-2	M
GM-1	120	9	60.5 \varnothing	130 \varnothing	4x10.5 \varnothing	100	265.9	100	126	197	157	250		150
GM-3	120	9	60.5 \varnothing	150 \varnothing	4x10 \varnothing	100	336.6	160	192	210	210.5	250		150
GM-5	135	11	76.3 \varnothing	175 \varnothing	4x12 \varnothing	105	352.4	160	192	210	210.5	250		150
GM-10	170	11	76.3 \varnothing	175 \varnothing	4x15 \varnothing	140	401.4	160	192	210	210.5	300		150
GM-20	178	14	89.1 \varnothing	195 \varnothing	4x18 \varnothing	150	449.6	160	235	280	250	370	368	150
MR-1	120	9	60.5 \varnothing	130 \varnothing	4x10.5 \varnothing	100	291.9	100	126	197	157	250		150
MR-3	120	9	60.5 \varnothing	150 \varnothing	4x10 \varnothing	100	362.6	160	192	210	210.5	250		150
MR-5	135	11	76.3 \varnothing	175 \varnothing	4x12 \varnothing	105	378.4	160	192	210	210.5	250		150
MR-10	170	11	76.3 \varnothing	175 \varnothing	4x15 \varnothing	140	427.4	160	192	210	210.5	300		150
MR-20	178	14	89.1 \varnothing	195 \varnothing	4x18 \varnothing	150	475.6	160	235	280	250	370		150

NOTES

These winches must not be used for the movement of personnel. 5 wraps of wire rope must be maintained on the drum. Data shown is approximate and intended as a guide only. You are strongly advised to carry out a risk assessment before selecting a manual winch for any proposed application.

WARRANTY

Each new winch is guaranteed against defects in the materials and workmanship for a period of twelve months from date of purchase.

Wire ropes are not included under warranty.

Bushey Hall Winchmaster sales@bhwwgroup.com www.bhwwgroup.com

Southern Office: Lismirrane Industrial Park, Elstree Road, Elstree, Herts, WD6 3EE Tel: +44 (0)20 8953 6050 Fax: +44 (0)20 8207 5308

Northern Office: 6 South Orbital Trading Park, Hedon Road, Hull, East Yorkshire, HU9 1NJ Tel: +44 (0)1482 223 663 Fax: +44 (0)1482 218 285

Bushey Hall Winchmaster is a division of BHW Group Limited. Registered in England No. 1342461. VAT No. 301 7915 80

