

GEBUWIN HAND WINCHES SPUR GEAR WINCH – TL300-600



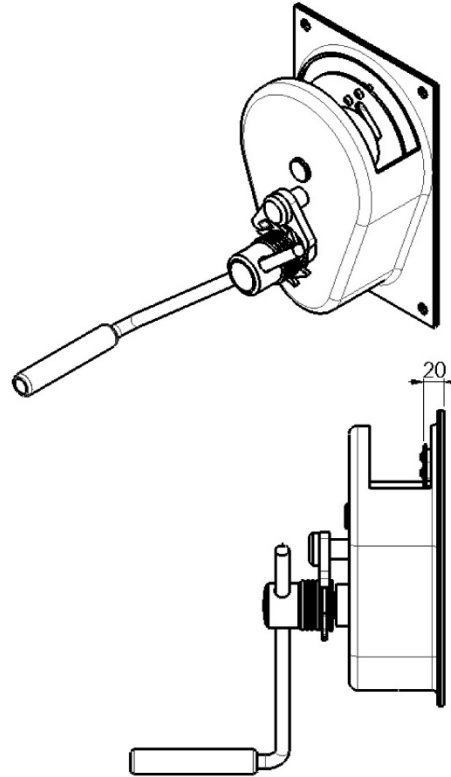
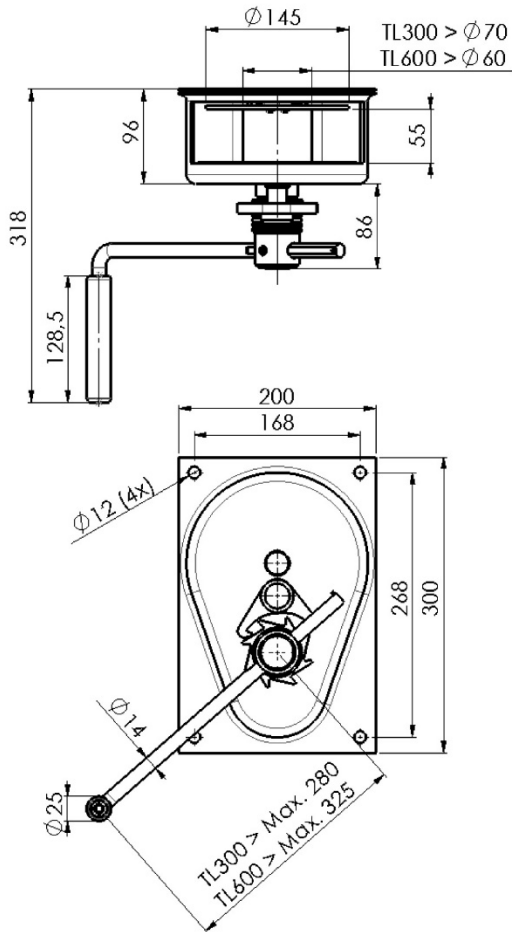
PRODUCT SPECIFICATIONS

- Robust and Safe Hoisting Winch
- Static Safety Factor 4
- Load Pressure Brake with Double Ratchet System
- Maintenance Free Bearings
- Adjustable Crank with Ergonomic Grip
- Cable Outlet Upwards
- Compliant with EN13157

OPTIONS & ACCESSORIES

- Zinc-Plated Finish
- ATAX Certified
- Steel or Stainless Steel Wire Rope

DIMENSIONS



TECHNICAL SPECIFICATIONS

TYPE	MOUNTING	MATERIAL FINISH	REMARKS
TL300-600 GR	Wall, 4x M8 Class 8.8	Painted Finish	RAL 7035 (Grey)
TL300-600 EV	Wall, 4x M8 Class 8.8	Zinc-Plated Finish	

MODEL	CAPACITY 1 ST CABLE LAYER (kg)	CAPACITY LAST CABLE LAYER (kg)	MAXIMUM CABLE STORAGE (m)	DIAMETER CABLE (mm)	MINIMUM BREAKING LOAD CABLE (kN)	TOTAL UNIT WEIGHT (kg)
TL300	300	172	35	4	9	10
TL600	600	336	12	6	18	11

NOTES

These winches must not be used for the movement of personnel. 4 wraps of wire rope must be maintained on the drum. Data shown is approximate and intended as a guide only. You are strongly advised to carry out a risk assessment before selecting a manual winch for any proposed application.

WARRANTY

Each new winch is guaranteed against defects in the materials and workmanship for a period of twelve months from date of purchase.

Wire ropes are not included under warranty.

Bushey Hall Winchmaster sales@bhwwgroup.com www.bhwwgroup.com

Southern Office: Lismirrane Industrial Park, Elstree Road, Elstree, Herts, WD6 3EE Tel: +44 (0)20 8953 6050

Northern Office: 6 South Orbital Trading Park, Hedon Road, Hull, East Yorkshire, HU9 1NJ Tel: +44 (0)1482 223 663

Bushey Hall Winchmaster is a division of BHW Group Limited. Registered in England No. 1342461 VAT No. 301 7915 80

